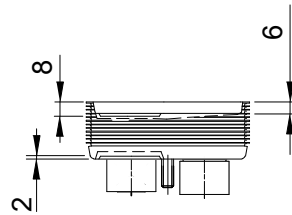
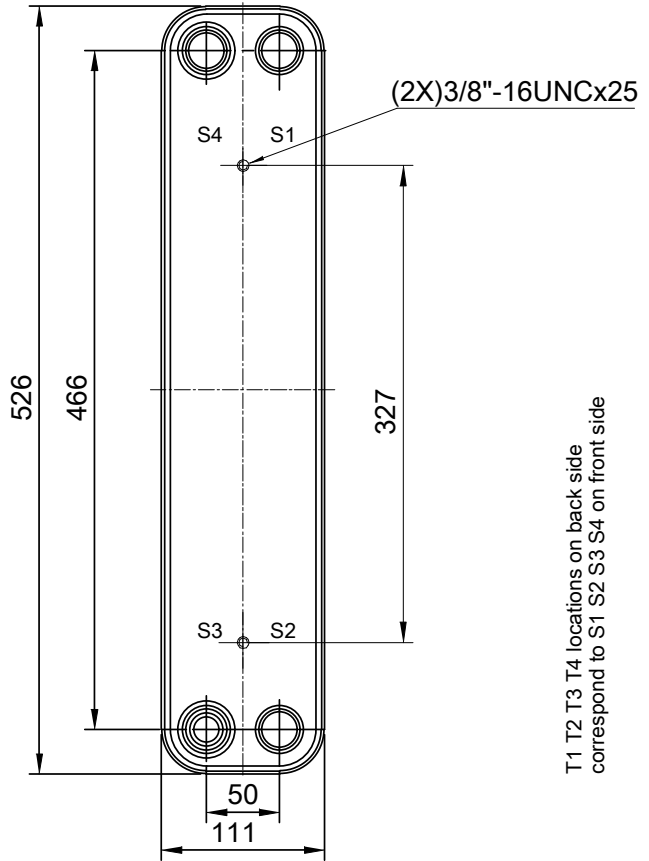
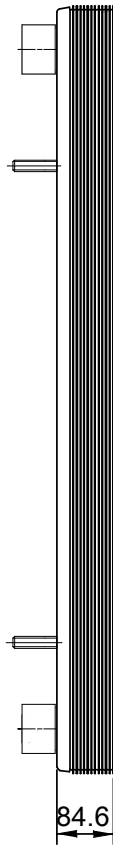
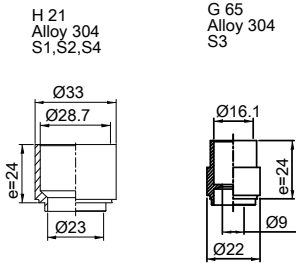


Note that all unique customer requirements (i.e tolerance) need to be verified thru Alfa Laval.



T1 T2 T3 T4 locations on back side correspond to S1 S2 S3 S4 on front side

HEATING SURFACE
 NETWEIGHT 8.40 kg
 OPERATING WEIGHT
 PLATE MATERIAL Alloy 316
 PLATE GROUPING 1*15ML/1*16MH

ALL DIMENSIONS IN MILLIMETERS

SIDE	MEDIA	INLET	TEMP.	OUTLET	TEMP.	FLOW RATE	PRESSURE DROP	LIQUID VOL.
1								1.43 dm ³
2								1.52 dm ³

PRESSURE VESSEL APPROVAL

UL/CRN



ACH-70X-32M S21 (3287083719)

www.alfalaval.com

CUSTOMER NAME / REF. NO.

TOTAL LENGTH 110.6 mm
 TOTAL WIDTH 111.0 mm
 TOTAL HEIGHT 526.0 mm

COMPANY / REF.

6/5/2017
 REV 0